

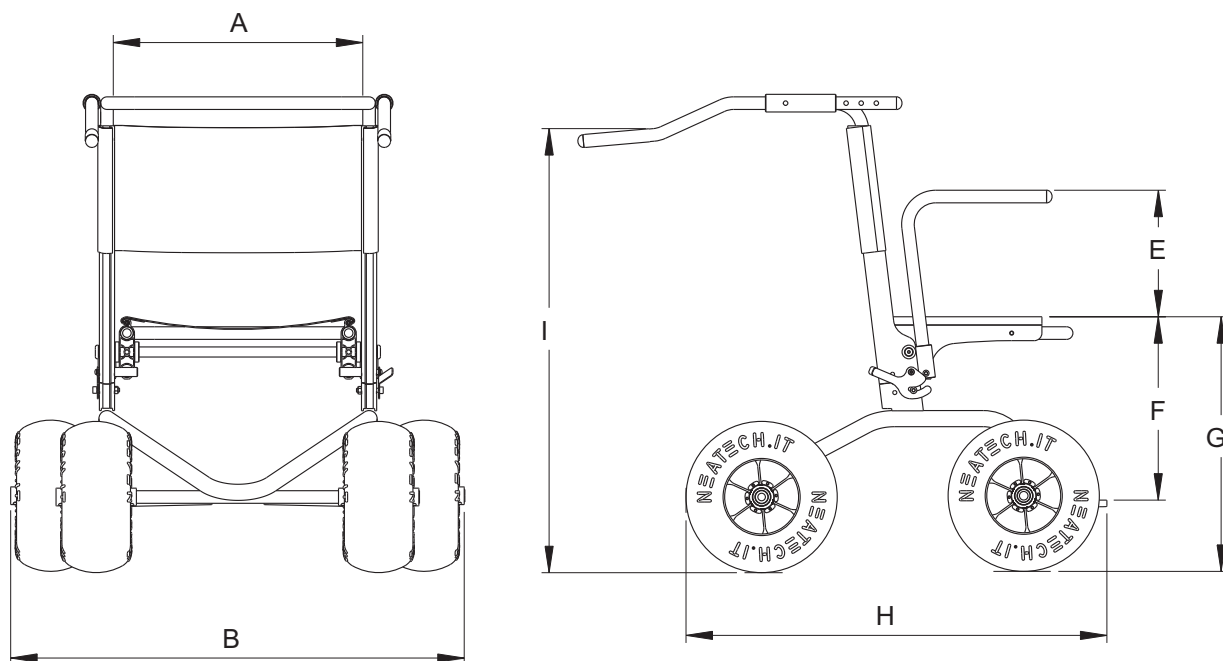
GENERAL FEATURES

Maximum user weight
Empty weight

100 kg
chassis 5.5 kg, wheels 3 kg

Aluminum chassis
Ø30 mm pneumatic wheels with sealed joints.

TECHNICAL INFORMATION



A SIZE [cm]	B WIDTH [cm]	C BACKREST HEIGHT [cm]	E ARMREST HEIGHT [cm]	F LEGREST LENGHT [cm]	G SEAT HEIGHT [cm]	H TOTAL LENGHT [cm]	I HANDLE HEIGHT [cm]
46	90	40	25	36	50	38	88-96

These information may vary according to the specific customization of each wheelchair.